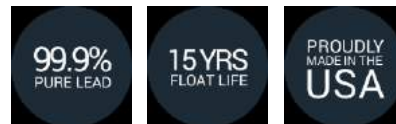


NSB 155FT HT RED

Pure Lead - High Temp



The NSB HTRED Battery® delivers long life in unreliable grid conditions even at high temperatures.

- Pure lead electrochemistry greatly increases temp and corrosion resistance while reducing component aging
- Thin plates deliver large surface area high power density and low resistance
- Design life 15+ years at 20°C (68°F)
- Extra long life at high temp operation 40°C (104°F)
- EUROBAT design life definition: Long Life (12+ years)
- High cyclic performance
- Fast recharging
- Shelf life of up to 24 months
- Operating temperature range -40°C to +65°C (-40°F to 149°F)
- State -of-the-art automated manufacturing ensures consistency and reliability
- Advanced 3 stage terminal design to ensure leak -free operation - brass terminals provide maximum performance
- High modulus Polyphenylene Oxide (PPO) plastic materials designed to withstand extended elevated operating temperatures and maintain high battery compression essential for reliable operation
- Non -halogenated thermally sealed plastic casing
- Approved as non-hazardous cargo for ground sea and air transport DOT 49CFR173.159(d), (i) and (ii)

NSB 155FT HTRED

Nominal Technical Specifications

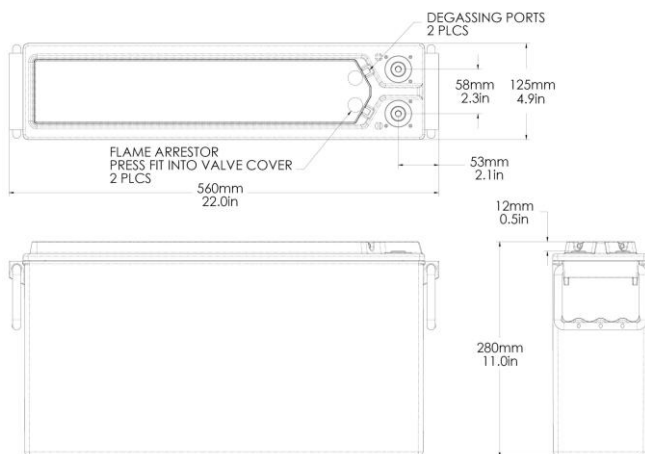
Dimensions

Height	280 mm	Width	125 mm
Length	560 mm	Weight	53 kg

Electrical

Terminal	Female M8 x 1.25
Terminal torque	8.0 Nm (71 in -lbs)
1 hr capacity to 1.70VPC @ 20/25°C (68/77°F)	114 / 119 Ah
3 hr capacity to 1.75VPC @ 20/25°C (68/77°F)	131 / 135 Ah
8 hr capacity to 1.75VPC @ 20/25°C (68/77°F)	148 / 150 Ah
10 hr capacity to 1.80VPC @ 20/25°C (68/77°F)	151 / 154 Ah
Float voltage @ 20/25°C (68/77°F)	2.28 / 2.27 VPC
Impedance (1Khz)	2.4 m Ω @ 25°C (77°F)
Conductance	2185 S
Short circuit current	5000 A
Operation temperature range	-40°C to +65°C
Nominal voltage	12 V

Technical Drawing



All NorthStar batteries are compliant with: Telcordia SR4228, IEC 60896; Bellcore GR-63-Core, Issue 1; British, German, and Russian telecom standards; UL approved and UN2800 certified. NorthStar is registered to ISO 9001 and ISO 14001.

NSB 155FT HT RED Battery®

Discharge tables @ 20°C (68°F)



Current / A

Duration		End of Discharge Voltage								
Minutes	Hours	1.85	1.80	1.75	1.70	1.67	1.65	1.60	1.55	1.50
2	0.03	461.6	547.7	636.7	725.2	776.6	809.5	885.3	948.6	996.1
5	0.08	410.4	466.0	520.5	571.8	600.1	617.6	656.2	685.5	704.4
10	0.17	320.4	352.7	383.0	410.5	425.2	434.2	453.2	466.7	474.3
15	0.25	262.8	284.3	304.2	321.8	331.1	336.7	348.3	356.3	360.5
20	0.33	223.5	239.0	253.2	265.6	272.1	276.0	283.9	289.3	291.9
30	0.50	173.2	182.5	190.9	198.1	201.8	204.0	208.4	211.3	212.7
45	0.75	130.7	135.9	140.5	144.4	146.4	147.5	149.9	151.4	152.1
60	1	105.5	108.8	111.6	114.1	115.3	116.0	117.5	118.4	118.8
120	2	60.6	61.5	62.3	62.9	63.3	63.5	63.9	64.2	64.3
180	3	43.0	43.4	43.7	44.0	44.1	44.2	44.4	44.6	44.7
240	4	33.6	33.7	33.9	34.1	34.1	34.2	34.3	34.4	34.5
300	5	27.6	27.7	27.8	28.0	28.0	28.0	28.1	28.2	28.3
480	8	18.3	18.4	18.5	18.5	18.6	18.6	18.6	18.7	18.7
600	10	15.0	15.1	15.2	15.3	15.3	15.4	15.4	15.5	15.5
1200	20	8.3	8.4	8.6	8.7	8.7	8.8	8.8	8.9	8.9

Capacity / Ah

Duration		End of Discharge Voltage								
Minutes	Hours	1.85	1.80	1.75	1.70	1.67	1.65	1.60	1.55	1.50
2	0.03	15.4	18.3	21.2	24.2	25.9	27.0	29.5	31.6	33.2
5	0.08	34.2	38.8	43.4	47.6	50.0	51.5	54.7	57.1	58.7
10	0.17	53.4	58.8	63.8	68.4	70.9	72.4	75.5	77.8	79.1
15	0.25	65.7	71.1	76.0	80.4	82.8	84.2	87.1	89.1	90.1
20	0.33	74.5	79.7	84.4	88.5	90.7	92.0	94.6	96.4	97.3
30	0.50	86.6	91.3	95.4	99.0	100.9	102.0	104.2	105.7	106.3
45	0.75	98.0	101.9	105.3	108.3	109.8	110.6	112.4	113.6	114.1
60	1	105.5	108.8	111.6	114.1	115.3	116.0	117.5	118.4	118.8
120	2	121.2	123.0	124.5	125.9	126.5	126.9	127.8	128.3	128.7
180	3	129.1	130.2	131.1	132.0	132.4	132.7	133.2	133.7	134.0
240	4	134.2	135.0	135.6	136.3	136.6	136.8	137.3	137.7	138.0
300	5	138.1	138.7	139.2	139.8	140.0	140.2	140.7	141.0	141.4
480	8	146.3	147.0	147.6	148.2	148.5	148.7	149.2	149.6	150.0
600	10	150.4	151.4	152.2	153.0	153.4	153.7	154.2	154.7	155.0
1200	20	165.8	168.9	171.5	173.6	174.7	175.3	176.5	177.2	177.5

Power / WPC

Duration		End of Discharge Voltage								
Minutes	Hours	1.85	1.80	1.75	1.70	1.67	1.65	1.60	1.55	1.50
2	0.03	850.5	984.5	1120.0	1252.2	1327.9	1376.0	1486.0	1577.2	1645.1
5	0.08	766.2	854.9	939.9	1018.3	1060.9	1087.1	1143.6	1185.4	1210.8
10	0.17	606.8	659.0	707.2	750.0	772.5	786.0	814.1	833.2	842.7
15	0.25	502.0	537.1	568.9	596.6	610.9	619.4	636.6	647.9	652.7
20	0.33	429.6	455.0	477.8	497.3	507.4	513.2	525.1	532.6	535.5
30	0.50	335.7	350.9	364.3	375.7	381.4	384.8	391.4	395.5	396.9
45	0.75	255.1	263.5	270.8	276.9	280.0	281.8	285.4	287.5	288.2
60	1	206.7	212.0	216.5	220.3	222.2	223.3	225.5	226.8	227.3
120	2	119.5	120.8	121.9	122.9	123.4	123.7	124.3	124.8	125.0
180	3	84.8	85.3	85.7	86.1	86.3	86.4	86.7	87.0	87.2
240	4	66.0	66.2	66.4	66.6	66.7	66.8	67.0	67.2	67.4
300	5	54.2	54.3	54.4	54.5	54.6	54.7	54.8	55.0	55.1
480	8	35.5	35.6	35.7	35.8	35.9	35.9	36.0	36.1	36.3
600	10	29.0	29.2	29.3	29.4	29.5	29.5	29.6	29.7	29.8
1200	20	15.5	15.8	16.0	16.2	16.3	16.3	16.4	16.5	16.5

NSB 155FT HT RED Battery[®]

Discharge tables @ 25°C (77°F)



Current / A

Duration		End of Discharge Voltage								
Minutes	Hours	1.85	1.80	1.75	1.70	1.67	1.65	1.60	1.55	1.50
2	0.03	512.3	607.8	706.5	804.8	861.7	898.3	982.4	1052.7	1105.3
5	0.08	446.8	507.4	566.7	622.5	653.3	672.5	714.4	746.4	766.9
10	0.17	344.3	378.9	411.6	441.1	456.9	466.5	486.9	501.4	509.6
15	0.25	280.3	303.2	324.4	343.2	353.1	359.1	371.5	380.1	384.5
20	0.33	237.2	253.7	268.7	281.9	288.8	292.9	301.3	307.0	309.8
30	0.50	182.6	192.4	201.2	208.8	212.7	215.0	219.7	222.8	224.2
45	0.75	136.9	142.3	147.1	151.2	153.3	154.5	157.0	158.6	159.3
60	1	110.0	113.4	116.4	119.0	120.3	121.0	122.5	123.5	124.0
120	2	62.6	63.5	64.3	65.0	65.4	65.6	66.0	66.3	66.5
180	3	44.2	44.6	44.9	45.2	45.3	45.4	45.6	45.8	45.9
240	4	34.4	34.6	34.7	34.9	35.0	35.0	35.1	35.2	35.3
300	5	28.2	28.3	28.4	28.6	28.6	28.6	28.7	28.8	28.9
480	8	18.6	18.7	18.8	18.8	18.9	18.9	19.0	19.0	19.0
600	10	15.3	15.3	15.4	15.5	15.6	15.6	15.6	15.7	15.7
1200	20	8.4	8.5	8.6	8.7	8.8	8.8	8.9	8.9	8.9

Capacity / Ah

Duration		End of Discharge Voltage								
Minutes	Hours	1.85	1.80	1.75	1.70	1.67	1.65	1.60	1.55	1.50
2	0.03	17.1	20.3	23.6	26.8	28.7	29.9	32.7	35.1	36.8
5	0.08	37.2	42.3	47.2	51.9	54.4	56.0	59.5	62.2	63.9
10	0.17	57.4	63.2	68.6	73.5	76.2	77.8	81.1	83.6	84.9
15	0.25	70.1	75.8	81.1	85.8	88.3	89.8	92.9	95.0	96.1
20	0.33	79.1	84.6	89.6	94.0	96.3	97.6	100.4	102.3	103.3
30	0.50	91.3	96.2	100.6	104.4	106.4	107.5	109.9	111.4	112.1
45	0.75	102.7	106.8	110.4	113.4	115.0	115.9	117.8	119.0	119.5
60	1	110.0	113.4	116.4	119.0	120.3	121.0	122.5	123.5	124.0
120	2	125.2	127.1	128.7	130.0	130.7	131.1	132.0	132.6	132.9
180	3	132.6	133.7	134.7	135.6	136.0	136.3	136.9	137.4	137.7
240	4	137.5	138.2	138.9	139.5	139.9	140.1	140.6	141.0	141.3
300	5	141.1	141.7	142.2	142.8	143.0	143.2	143.7	144.1	144.4
480	8	148.7	149.4	150.0	150.6	150.9	151.1	151.6	152.0	152.4
600	10	152.5	153.5	154.3	155.1	155.5	155.8	156.4	156.8	157.2
1200	20	167.1	170.1	172.7	174.9	176.0	176.6	177.8	178.6	178.8

Power / WPC

Duration		End of Discharge Voltage								
Minutes	Hours	1.85	1.80	1.75	1.70	1.67	1.65	1.60	1.55	1.50
2	0.03	943.8	1092.5	1242.9	1389.6	1473.5	1527.0	1649.0	1750.2	1825.6
5	0.08	834.2	930.8	1023.3	1108.7	1155.1	1183.6	1245.1	1290.6	1318.3
10	0.17	652.0	708.0	759.9	805.8	830.0	844.6	874.7	895.2	905.4
15	0.25	535.4	572.8	606.8	636.3	651.6	660.6	679.0	691.0	696.2
20	0.33	455.9	482.9	507.1	527.8	538.5	544.7	557.3	565.2	568.3
30	0.50	353.9	369.9	384.1	396.1	402.1	405.7	412.7	416.9	418.4
45	0.75	267.2	276.0	283.7	290.1	293.3	295.2	298.9	301.2	301.9
60	1	215.6	221.1	225.8	229.8	231.8	232.9	235.2	236.6	237.1
120	2	123.4	124.8	125.9	126.9	127.5	127.8	128.4	128.9	129.2
180	3	87.1	87.6	88.0	88.4	88.7	88.8	89.1	89.4	89.6
240	4	67.6	67.8	68.0	68.2	68.3	68.4	68.6	68.8	69.0
300	5	55.3	55.5	55.6	55.7	55.8	55.8	56.0	56.2	56.3
480	8	36.1	36.2	36.3	36.4	36.5	36.5	36.6	36.7	36.8
600	10	29.4	29.6	29.7	29.8	29.9	29.9	30.0	30.1	30.2
1200	20	15.7	15.9	16.1	16.3	16.4	16.4	16.5	16.6	16.6